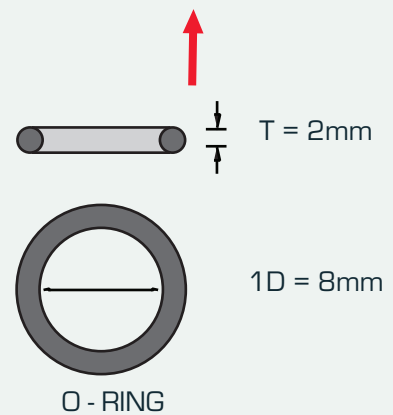


## RYCO Z897 FITTING INSTRUCTION

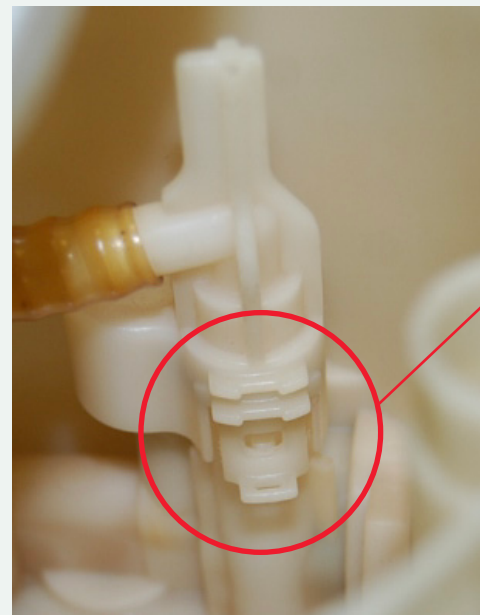
MAZDA 2 DE SERIES

### WORK PROCEDURE

- 1 Lubricate the o-ring and place it into the adapter, it needs to be pushed in properly to fit tightly.
- 2 Connect the adapter to the pressure regulator housing. Ensure the adaptor is secured by fully pushing it into the fuel bucket until you hear a "click". Pull the adaptor to check that the clip is secured properly.



**FIGURE 1**  
PRESSURE REGULATOR ADAPTER



**FIGURE 2**  
FUEL BUCKET (RE-USE ORIGINAL BUCKET)